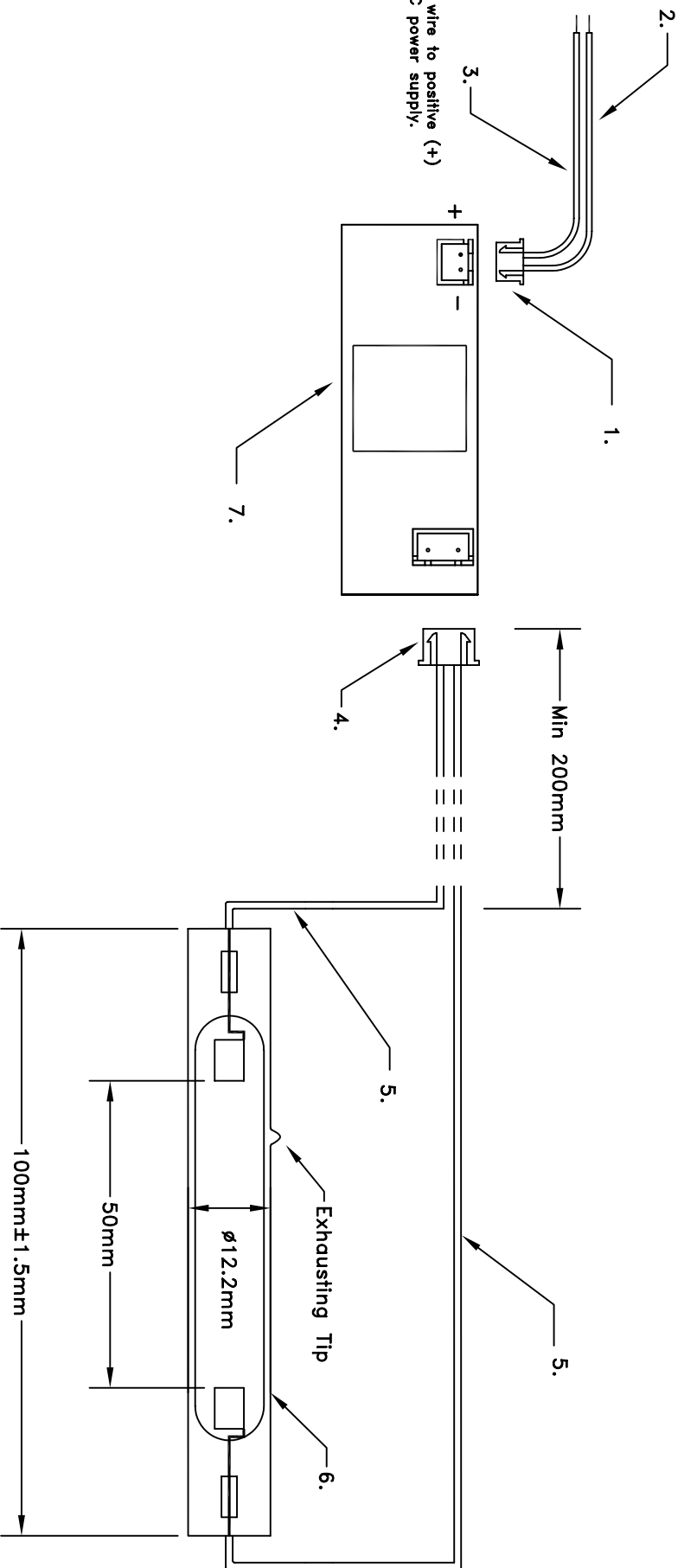


Connect black wire to negative (-)
on a 12V DC power supply.

Connect red wire to positive (+)
on a 12V DC power supply.



SPECIFICATIONS:

1. CONNECTOR JST XHP-2
2. BLACK INSULATED WIRE MIN.150MM LENGTH AND STRIPPED
3. RED INSULATED WIRE MIN. 150MM LENGTH AND STRIPPED
4. CONNECTOR JST XHP-3
5. HIGH VOLTAGE ACCORDINGLY INSULATED WIRE, RED, BLACK OR WHITE, MIN. 200MM LENGTH
- 100MM LENGTH
6. COLD CATHODE FLORESCENT LAMP
- OD=12.2MM
7. 12V DC INVERTER
- UV OUTPUT MAX. 5.0 MW/CM² AT QUARTZ LEVEL
- STARTING VOLTAGE 300V, MAINTAINING VOLTAGE 200V
- OPERATING CURRENT: 5MA
- STABILIZATION TIME: 3 MINUTES

CAUTION: DO NOT POWER THE INVERTER UNTIL YOU CHECK POLARITY!

SCALE: NONE		DRAWN BY: VS	
DATE: 3/19/2020		APPROVED BY: RS	
MCCUV-254-100x12 Lamp-Inverter Kit			
DIMENSIONS-MILLIMETERS		DN: 32511B	